

2

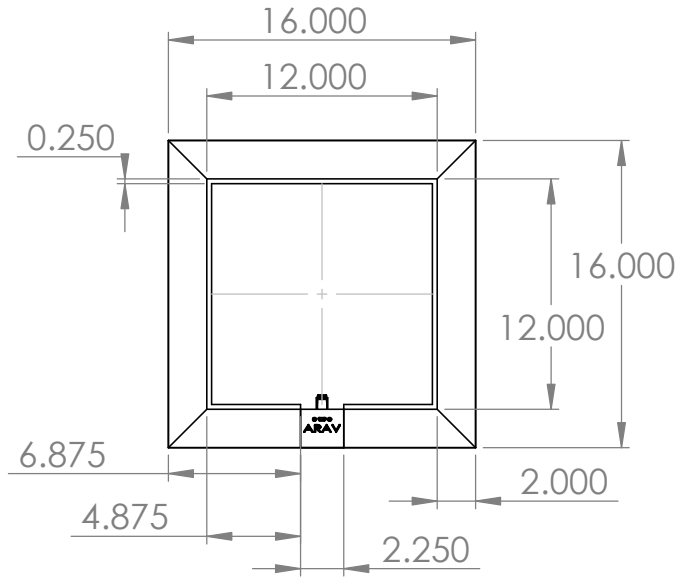
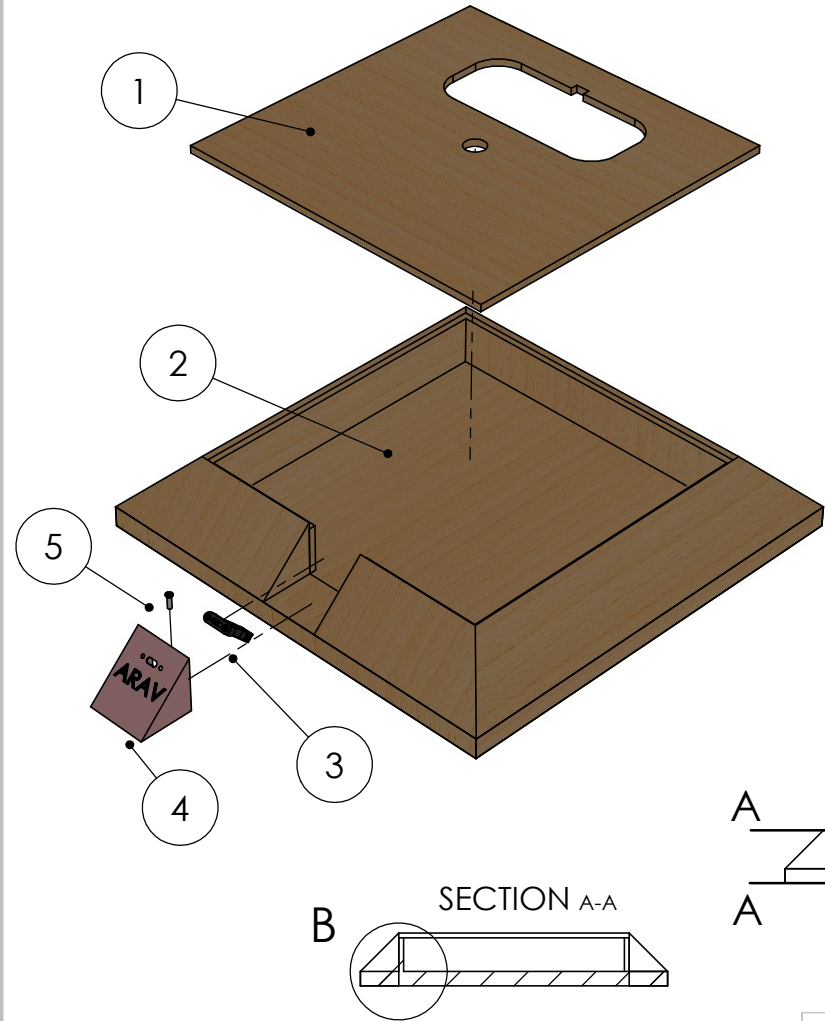
1

SCALE: 1:5

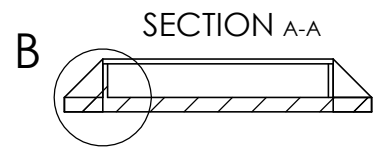
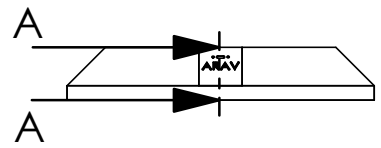
ITEM NO.	PART NUMBER	DESCRIPTION	Material	QTY.
1	Landing Pad Lid	plywood lid	wood	1
2	Landing Pad Base	plywood and wooden beam base	wood	1
3	USB-C Panel Mount Connector	panel-mountable female USB-C connector *	various *	1
4	Connector Block	plastic panel mount for USB-C connector	PLA	1
5	#6 x 1/2 in	#6 wood screw	Zinc	1

B

B

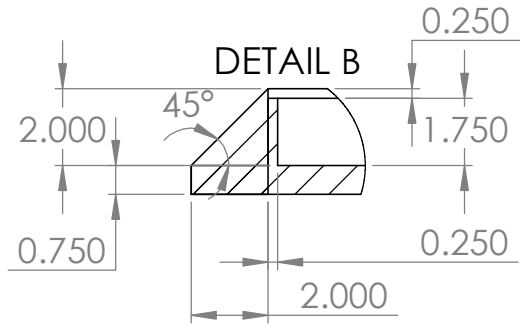


SCALE: 1:10



A

A



UNLESS OTHERWISE SPECIFIED:		NAME	DATE
DIMENSIONS ARE IN INCHES		DRAWN	A. Aboumrad 5/15/2020
TOLERANCES:		CHECKED	
FRACTIONAL ±		ENG APPR.	
ANGULAR: MACH ± BEND ±		MFG APPR.	
TWO PLACE DECIMAL ±		Q.A.	
THREE PLACE DECIMAL ±			

COMMENTS:
 *USB-C connector model provided by DataPro
<https://www.datapro.net/products/usb-c-panel-mount-extension-cable.html>

TITLE: **Landing Pad Enclosure**

SIZE	DWG. NO.	REV
A	LP_Assembly	
SCALE: 1:5	WEIGHT:	SHEET 1 OF 3

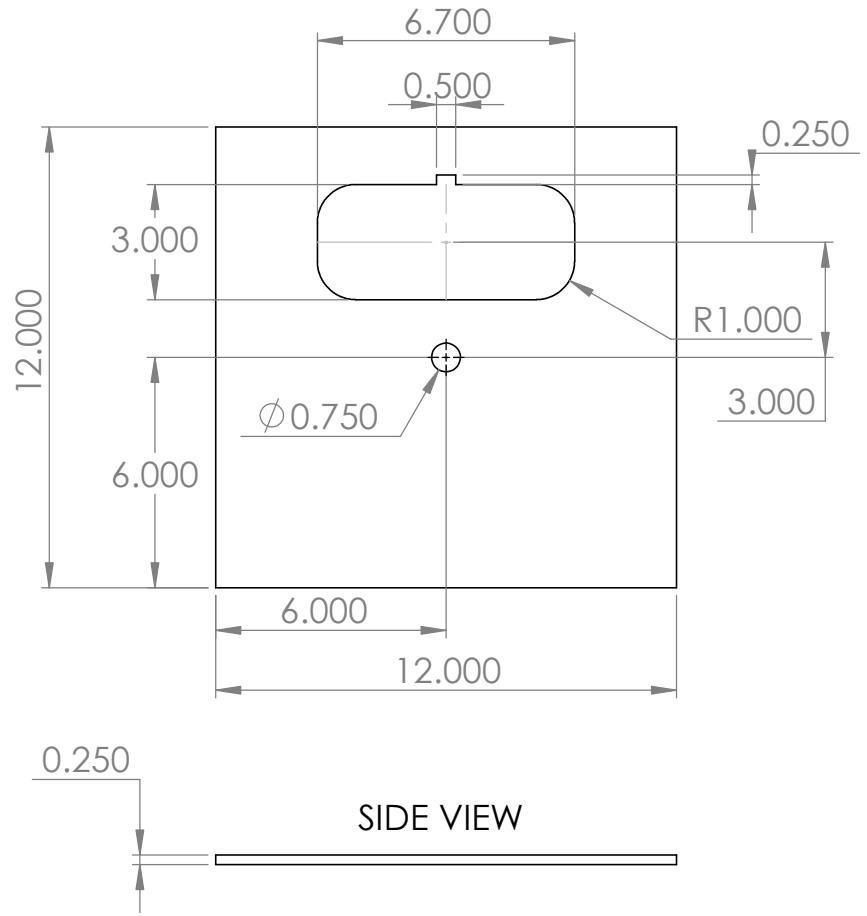
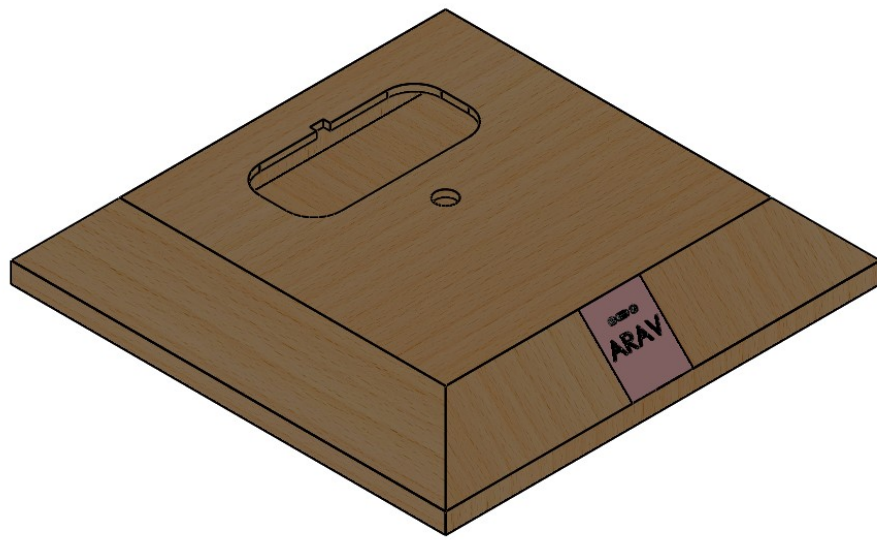
1

2

1

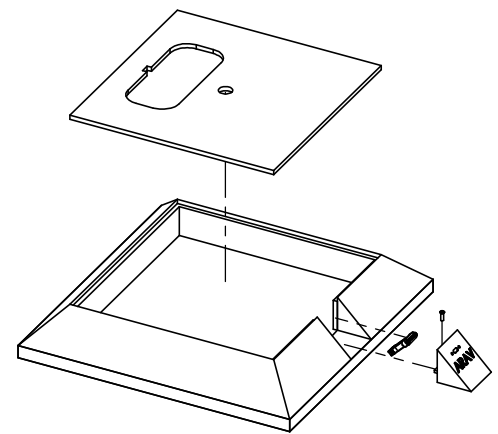
B

B



A

A



UNLESS OTHERWISE SPECIFIED:		NAME	DATE
DIMENSIONS ARE IN INCHES	DRAWN	A. Aboumrاد	5/15/2020
TOLERANCES:	CHECKED		
FRACTIONAL ±	ENG APPR.		
ANGULAR: MACH ± BEND ±	MFG APPR.		
TWO PLACE DECIMAL ±	Q.A.		
THREE PLACE DECIMAL ±			
COMMENTS:			

TITLE: **Landing Pad Enclosure**

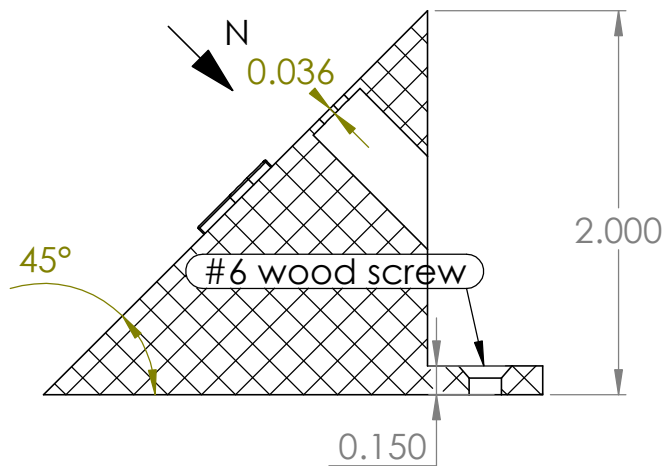
SIZE	DWG. NO.	REV
A	LP_Lid	
SCALE: 1:5	WEIGHT:	SHEET 2 OF 3

1

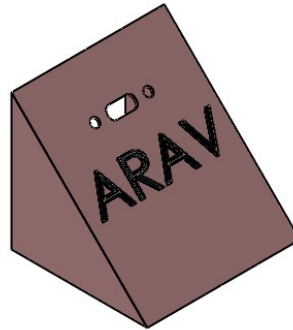
2

1

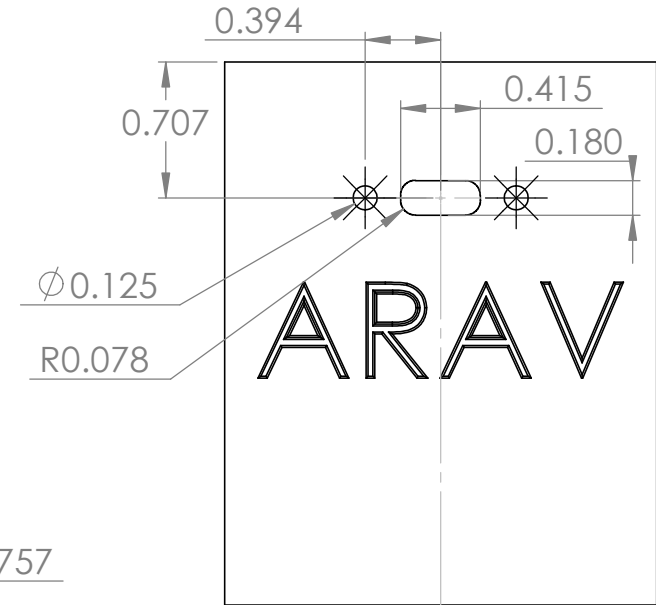
SECTION M-M
SCALE 1 : 1



SCALE 1:2



VIEW N
45.00°

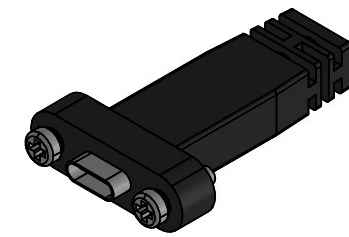
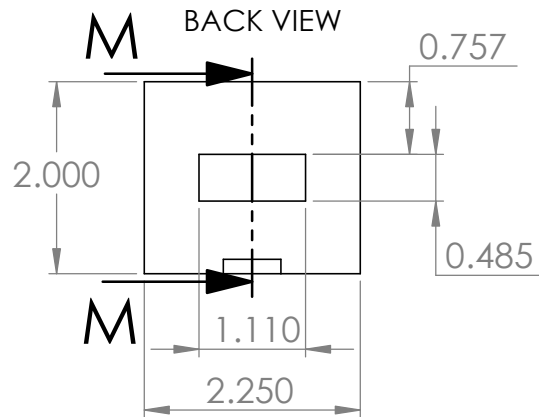


B

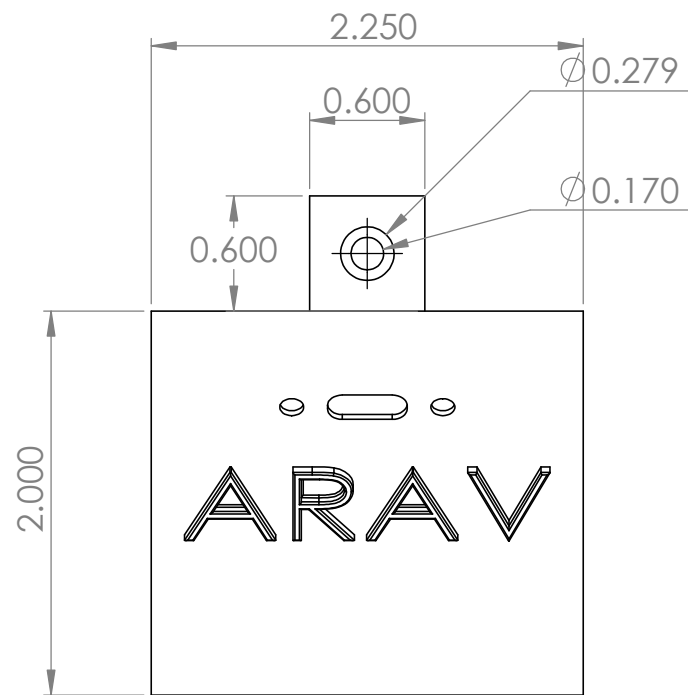
B

A

A



USB-C Panel Mount
(see comments)



UNLESS OTHERWISE SPECIFIED:		NAME	DATE
DIMENSIONS ARE IN INCHES	DRAWN	A. Aboumrad	5/15/2020
TOLERANCES:	CHECKED		
FRACTIONAL ±	ENG APPR.		
ANGULAR: MACH ± BEND ±	MFG APPR.		
TWO PLACE DECIMAL ±	Q.A.		
THREE PLACE DECIMAL ±			

Intended for use with DataPro USB-C Panel Mount Extension Cable or similar
<https://www.datapro.net/products/usb-c-panel-mount-extension-cable.html>

TITLE: **Landing Pad Enclosure**

SIZE	DWG. NO.	REV
A	Connector Block	
SCALE: 1:1	WEIGHT:	SHEET 3 OF 3

1